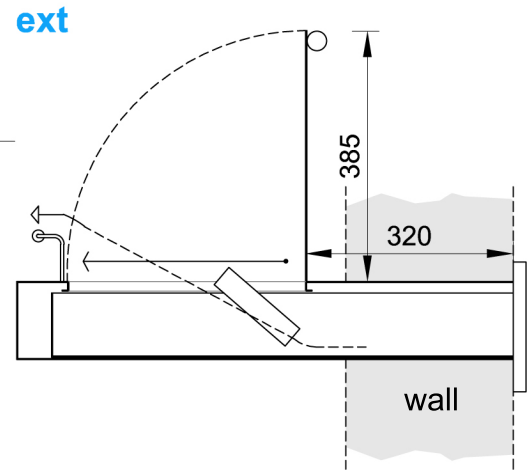
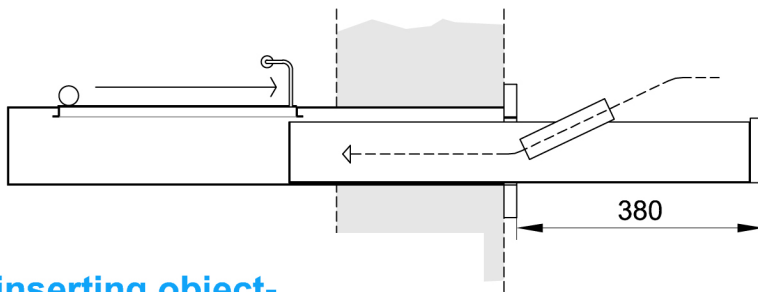


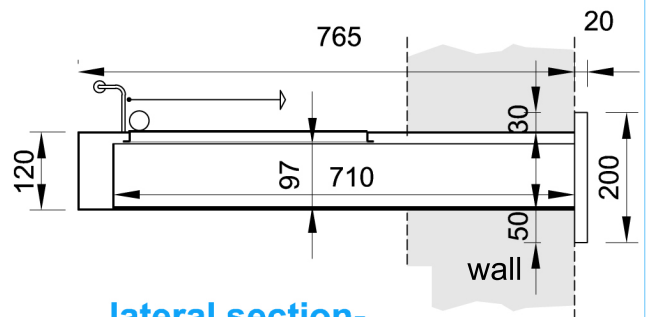
top view



**removal object-
 operator side**



**inserting object-
 public side**



**lateral section-
 drawer closed**



The model "F" is manufactured entirely of stainless steel. The outer frame and the front of the sliding drawer (public side) are manufactured with tubulars and stainless steel sheet too. See the technical file to know features and measures.

Available upon request: armouring increased or ballistics and different design.